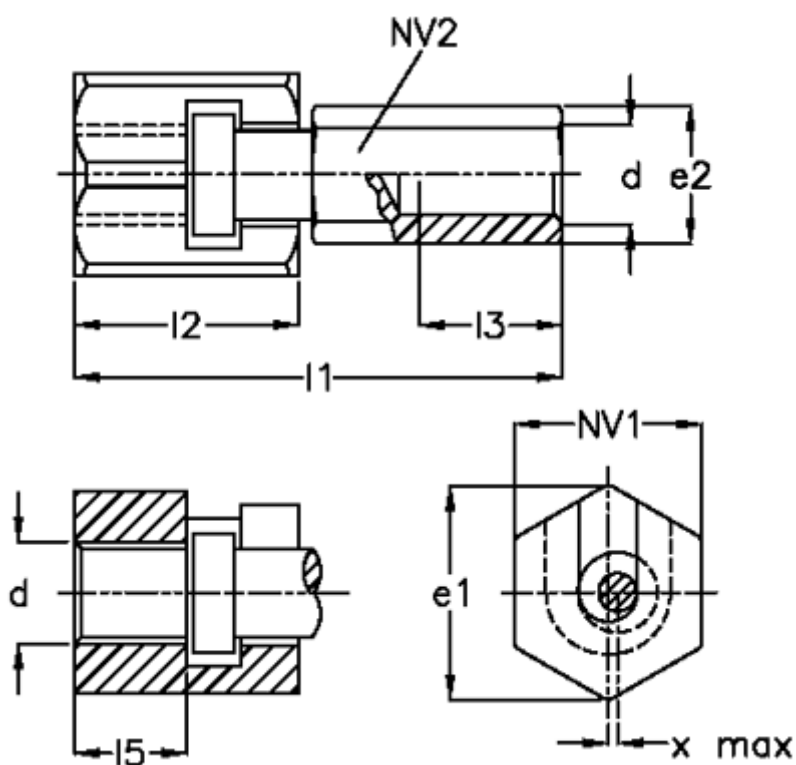


Article number: 20055511

Description: E+G Quick-fit coupling (radial displacement)
GN 240-M10-B

Measures



d	= M 10x1,5	Max push-pull strength N = 6500
e1	= 30.0	NV 1 = 27
e2	= 19.0	NV 2 = 17
l1	= 56.0	
l2	= 29.0	
l3	= 16.0	
l5 +1	= 16.0	
Max displacement	= 0.7	